



4.1-9.5 Series

GENERAL

4.1/9.5 Min DIN series developed to meet the growing demands of today's high performance mobile communications systems, the 4.1/9.5 has an operational frequency range of DC-14 GHz. This IEC Standard interface offers the right combination of power handling, operational frequency, low VSWR and Low PIM performance. It also offers excellent VSWR performance and Low Passive Intermodulation (Low PIM) < -165 dBc. This makes it ideally suited for use in cellular base stations, distributed antenna systems (DAS) and small cell applications.



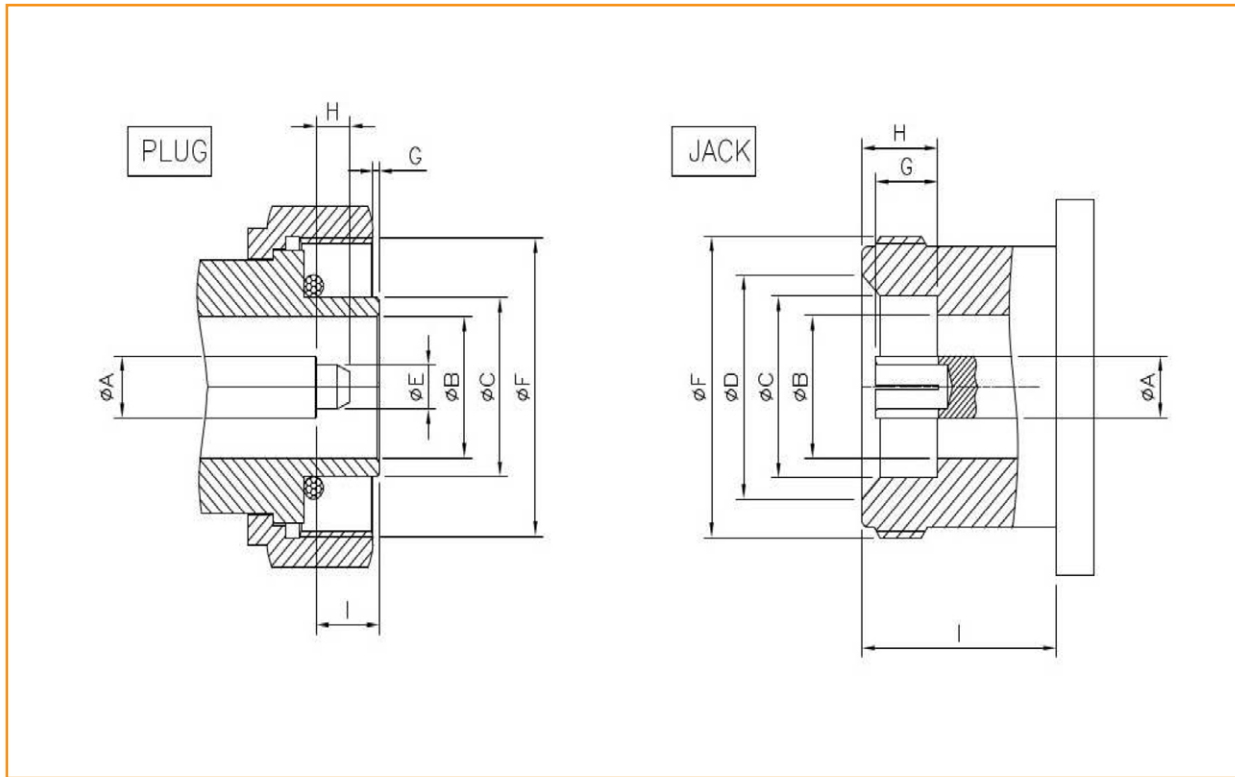
4.1-9.5 Series

CHARACTERISTICS

Requirements	Specifications
ELECTRICAL DATA	
Impedance	50Ω
Frequency range	DC to 14 GHz
Return loss (cable connector straight)	≥ 30 dB @ DC to 0.5 GHz ≥ 23 dB @ 0.5 GHz to 4 GHz ≥ 20 dB @ 4 GHz to 10 GHz
Insertion loss	≤ 0.05 x √f (GHz) dB
Insulation resistance	≥ 5 GΩ
Center contact resistance	≤ 1 m Ω
Outer contact resistance	≤ 0.1 m Ω
Working voltage	500 V r m s
Power handling	450 W @ 2 GHz / 90°C
RF leakage - Interface	≥ 114 dB @ DC to 1 GHz
Intermodulation 3rd order Impedance	≤ -160 dB c (2 X 43 dB m)
MECHANICAL DATA	
Mating cycles	≥ 500
Coupling nut retention	≥ 500 N
Center contact captivation	axial : ≥ 8 0 N
Coupling test torque	≤ 15 Nm
Coupling torque recommended	10 Nm
Pitch	≥ 25.4 mm
ENVIRONMENTAL DATA	
Temperature range	-55°C to + 155°C
Thermal shock	IEC 60169-1, Sub-clause 16.4
Climatic category	IEC 60068-2-1 55/155/56
Climatic sequence	IEC 60169-1, Sub-clause 16.2, 55/155/56
Degree of protection (mated pair)	IEC 60529, IP68
Corrosion resistance	IEC 60169-1, Sub-clause 16.7
Vibration	IEC 60169-1, Sub-clause 15.2.2
Max. soldering temperature (PCB connectors)	IEC 61760-1, +260°C for 10 sec.

4.1-9.5 Series

Interface Dimensions

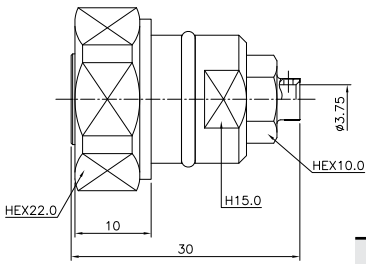


Interface Dimensions in mm/inch

	PLUG		JACK	
	Min.	Max.	Min.	Max.
A	4.13 nom		4.13 nom	
B	9.40	9.60	9.40	9.60
C	11.84	12.02	12.03	12.21
D	-	-	14.90	15.00
E	2.855	2.945	-	-
F	M20X1.0P		M20X1.0P	
G	0.00	1.00	4.73	5.03
H	2.00	4.00	5.80	6.20
I	5.05	5.35	8.00	-

4.1-9.5 Series

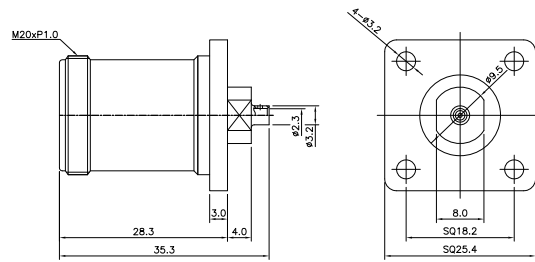
D4.1/9.5-Straight Plug (for Cable-UT141) Low PIM



Part No.

D4195-102-001

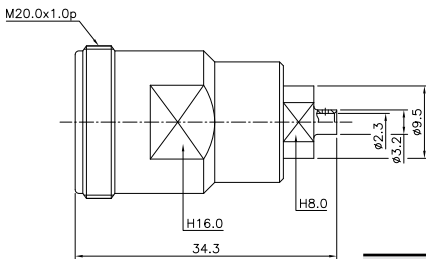
D4.1/9.5-Panel 4 Hole Jack (for Cable-UT085) Low PIM



Part No.

D4195-401-001_R1

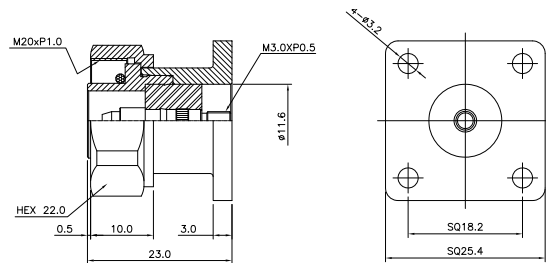
D4.1/9.5-Straight Jack (for Cable-UT085) Low PIM



Part No.

D4195-201-001

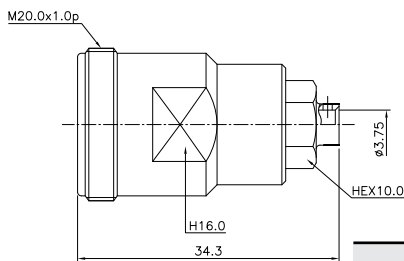
D4.1/9.5-Panel 4 Hole Plug Receptacle



Part No.

D4195-503-001

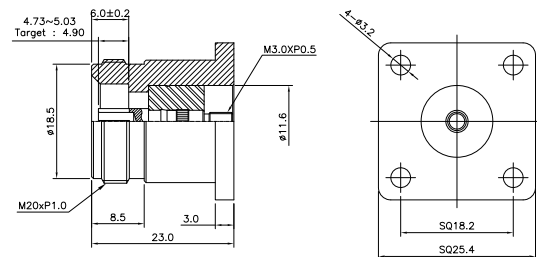
D4.1/9.5-Straight Jack (for Cable-UT141) Low PIM



Part No.

D4195-202-001

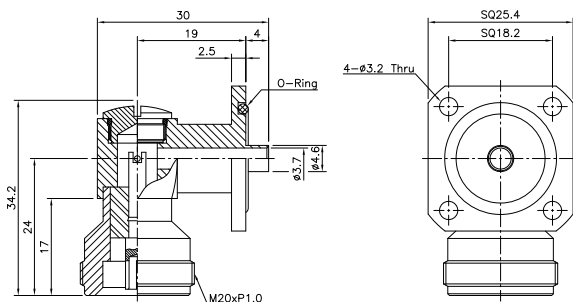
D4.1/9.5-Panel 4 Hole Jack Receptacle



Part No.

D4195-504-012

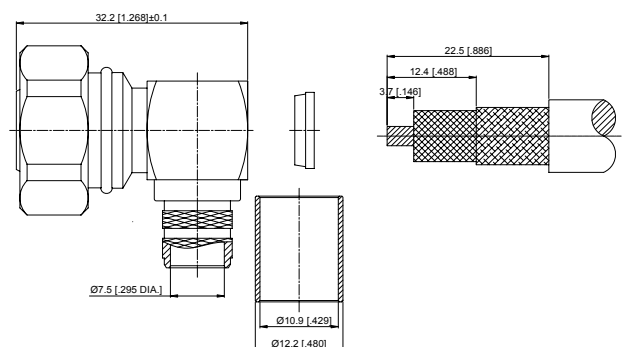
D4.1/9.5-Right Angle Panel 4 Hole Jack (For Cable -UT141)



Part No.

D4195-302-001

D4.1/9.5-Right Angle Plug Crimp (for LMR400 Cable)



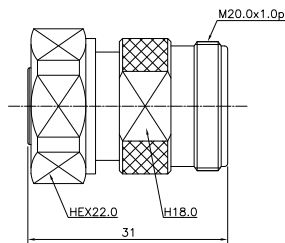
Part No.

D4195-302-001

4.1-9.5 Series

Adapters

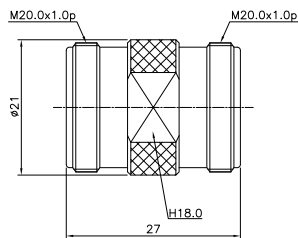
D4.1/9.5-Straight Plug to Jack



Part No.

D4195-802-001

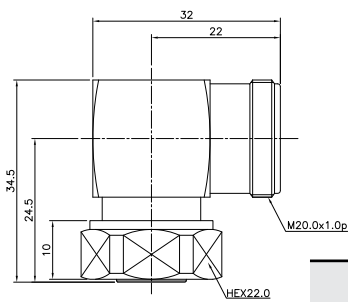
D4.1/9.5-Straight Jack to Jack Adapter



Part No.

D4195-803-001

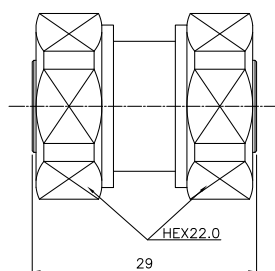
D4.1/9.5-Right Angle Plug to Jack Adapter



Part No.

D4195-806-001

D4.1/9.5-Straight Plug to Plug Adapter



Part No.

D4195-801-001

